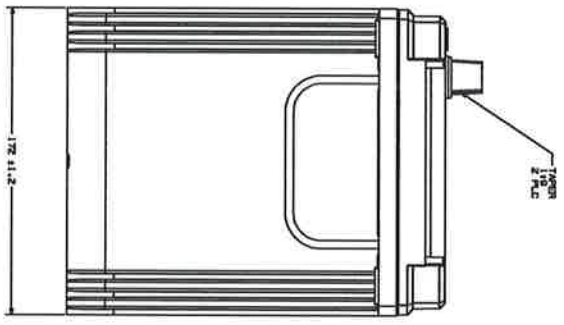
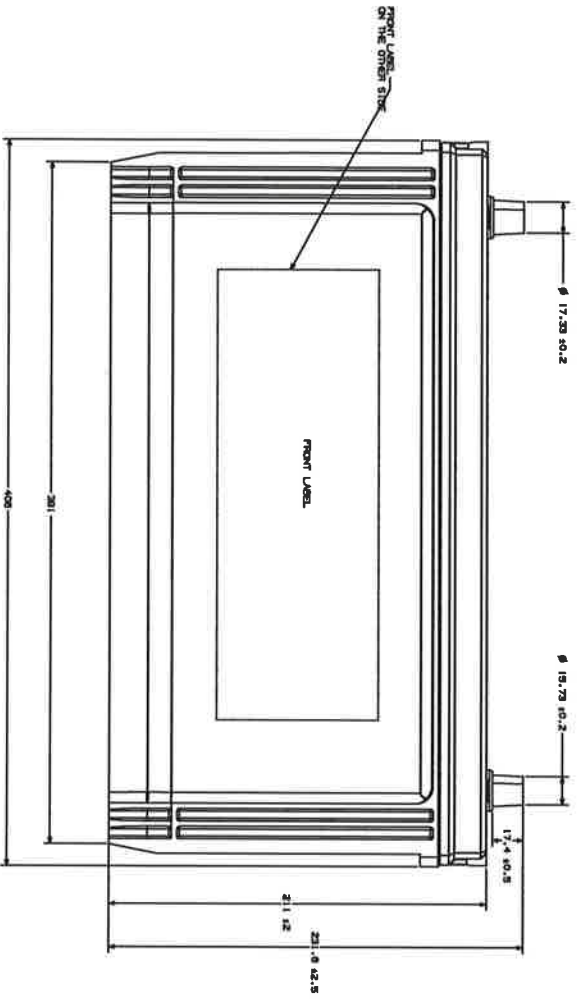
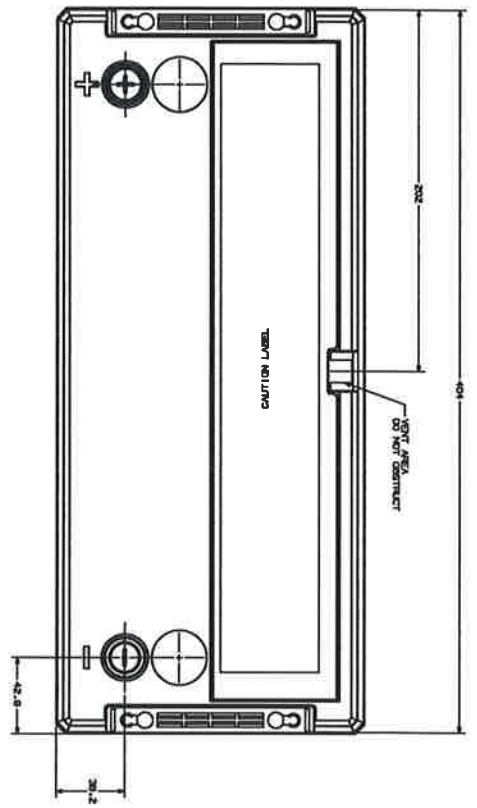


TOP VIEW DIMENSIONS ARE FROM EDGE OF COVER



上海 JCI 工程部 核准章
 日期 2016.4.26
 批准 JCI 日期 4/27.2016

REV	DATE	BY	DESCRIPTION
1	11/17/14	NO	REVISED TO 12010501-1

APPLICATION DATA

CAT. NO. 4-08-(201050)-1 12 VOLTS

GROUP SIZE: BC1 JISEI EN MIN
 PERFORMANCE RATINGS: 650 MIN
 RESERVE CAPACITY AT 27° C: 1 MINUTES AMS
 COLD CHANNING AMBERS AT -18° C 120 AM
 20 HOUR RATE: 4MP HR 4H

RECOMMENDED MAXIMUM CHARGING OR OPERATING TEMPERATURE 52 °C
 INSTALLATION INSTRUCTIONS:
 RECOMMENDED TERMINAL TORQUE SPECIFICATIONS: 5.6-7.9 (N·m)
 TOP TERMINAL POST 15.0-20.0 (N·m)
 RECOMMENDED RETAILER TORQUE SPECIFICATIONS: 2.3-2.5 (N·m)
 WIRE CLAMP 2.3-2.5 (N·m)
 TOP BATTERY WIRE

NUMBER	TOLERANCE
0.00	±0.15
0.01	±0.20
0.02	±0.25
0.03	±0.30
0.04	±0.35
0.05	±0.40
0.06	±0.45
0.07	±0.50
0.08	±0.55
0.09	±0.60
0.10	±0.65
0.12	±0.75
0.15	±0.90
0.20	±1.10
0.25	±1.30
0.30	±1.50
0.40	±2.00
0.50	±2.50
0.60	±3.00
0.80	±4.00
1.00	±5.00

UNLESS OTHERWISE SPECIFIED
 ALL DIMENSIONS ARE IN MILLIMETERS
 DIMENSIONS IN PARENTHESES ARE
 IN INCHES
 DIMENSIONS IN PARENTHESES ARE
 IN INCHES

Johnson Controls
 300.339.36
 NICO ONLINE
 11/27/16